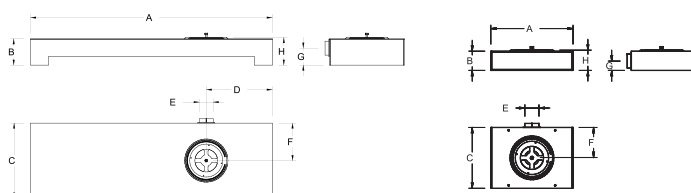
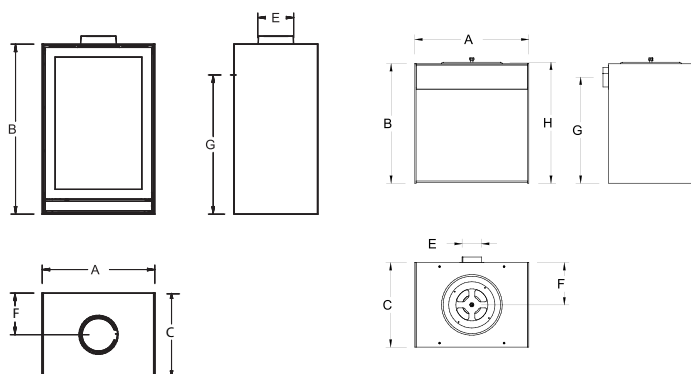


# TQ 33



## FEATURES :

Built in steel
Woodbox® combustion technology
360° rotating main body
Vermiculite interior
Top and rear flue connection
Outside air ready
IR thermal self-cleaning ceramic glass
Ashpan
Primary and secondary air control
Optional remote control available
3 stand options; low-rise, tall log storage or steel bench (main body and stand sold separately)

## STAND DIMENSIONS :

	A	B	C	D	E	F	G	H
Low rise	576	134	434	-	100	217	72	142
Log storage	576	425	434	-	100	217	358	433
Bench	1.700	186	528	465	100	264	120	194

## TECHNICAL SPECIFICATIONS :

Ecolabel	A+
Min.-max. heat output	4-9 kW
Nominal heat output	5,3 kW
Heats up to	360 m3
Side clearance to combustibles / non combustibles	350/50 mm.
Rear clearance to combustibles / non combustibles	400/75 mm.
Efficiency	86%
CO emissions (13%O <sup>2</sup> )	1.250 mg/Nm <sup>3</sup>
Flue diameter	150 mm.
Maximum log length	400 mm.
Weight	145 kg.
Certification	13240/16510
A	572
B	621
C	422
E	150
F	211
G	492