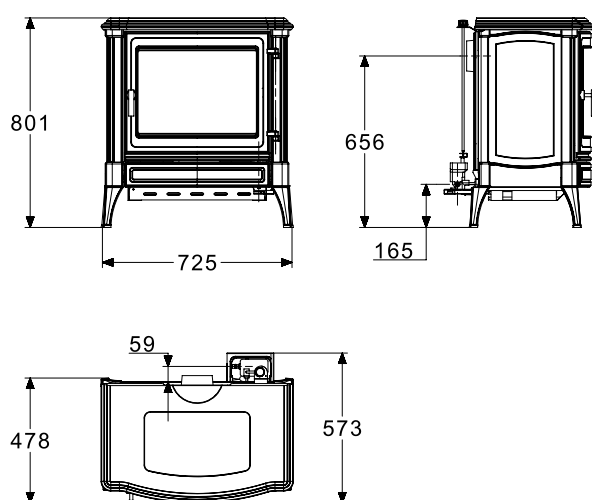


S 41



FEATURES :

Cast iron outer body
Vaporizing burner technology
Electric or manual ignition
Easy flame height and heat output control
Easy connection to new or existing oil tanks
Non-pollutant, quiet and odor-free burning
Top and rear flue exit
Working door for easy maintenance

TECHNICAL SPECIFICATIONS (NG) :

Ecolabel	E
Nominal heat output	11,5 kW
Side clearance to combustibles / non combustibles	300/50 mm.
Rear clearance to combustibles / non combustibles	400/75 mm.
Efficiency	80,7%
Flue diameter	100 int. / 125 ext. mm.
Minimum fuel consumption	0,32 l/h
Maximum fuel consumption	1,2 l/h
Weight	134 kg.