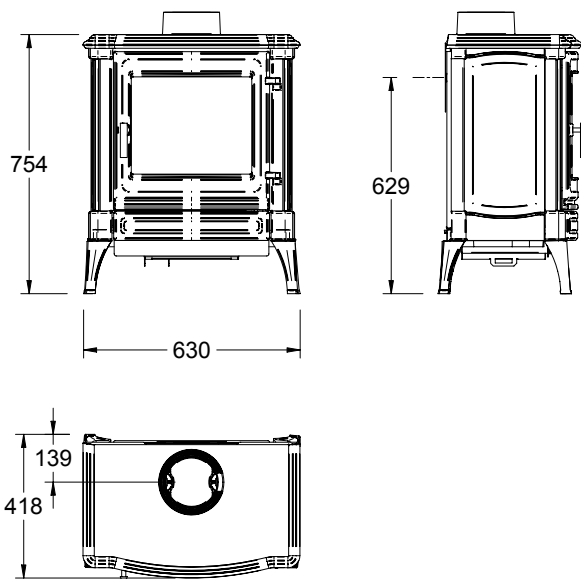


S 33



FEATURES :

Built in cast iron
Woodbox® combustion technology
Vermiculite interior
Multifuel combustion technology
Top and rear flue connection
Outside air ready
IR thermal self-cleaning ceramic glass
Ashpan
Primary and secondary air control
Optional remote control available

TECHNICAL SPECIFICATIONS :

Ecolabel	A+
Min.-max. heat output	4-9 kW
Nominal heat output	5,2 kW
Heats up to	360 m3
Side clearance to combustibles / non combustibles	450/75 mm.
Rear clearance to combustibles / non combustibles	300/50 mm.
Efficiency	82%
CO emissions (13%O ²)	1.250 mg/Nm ³
Flue diameter	150 mm.
Maximum log length	400 mm.
Weight	150 kg.
Certification	EN 13240/16510