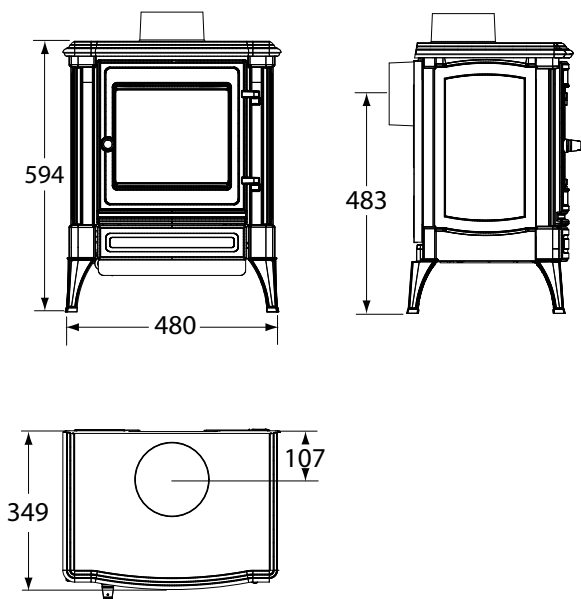


S 13



FEATURES :

Built in cast iron
Woodbox® combustion technology
Vermiculite interior
Multifuel combustion technology
Top and rear flue connection
Outside air ready
IR thermal self-cleaning ceramic glass
Ashpan
Primary and secondary air control
Optional remote control available

TECHNICAL SPECIFICATIONS :

Ecolabel	A+
Min.-max. heat output	2-5 kW
Nominal heat output	2,6 kW
Heats up to	87 m3
Side clearance to combustibles / non combustibles	450/50 mm.
Rear clearance to combustibles / non combustibles	300/75 mm.
Efficiency	85%
CO emissions (13%O ²)	1375 mg/Nm ³
Flue diameter	125 mm.
Maximum log length	305 mm.
Weight	108 kg.
Certification	EN 13240/16510