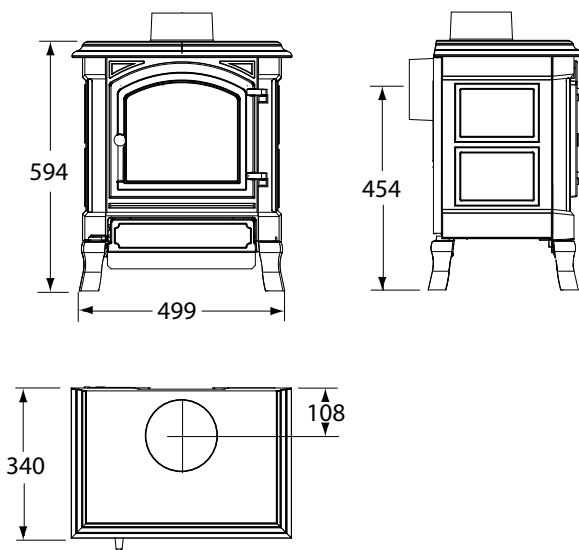


S 13



FEATURES :

| |
|--|
| Built in cast iron |
| Woodbox® combustion technology |
| Vermiculite interior |
| Multifuel combustion technology |
| Top and rear flue connection |
| Outside air ready |
| IR thermal self-cleaning ceramic glass |
| Ashpan |
| Primary and secondary air control |
| Optional remote control available |

TECHNICAL SPECIFICATIONS :

| | |
|--|----------------|
| Ecolabel | A+ |
| Min.-max. heat output | 2-5 kW |
| Nominal heat output | 2,6 kW |
| Heats up to | 87 m3 |
| Side clearance to combustibles / non combustibles | 450/50 mm. |
| Rear clearance to combustibles / non combustibles | 300/75 mm. |
| Efficiency | 85% |
| CO emissions | 1375 mg/Nm3 |
| Flue diameter | 125 mm. |
| Maximum log length | 305 mm. |
| Weight | 108 kg. |
| Certification | EN 13240/16510 |